


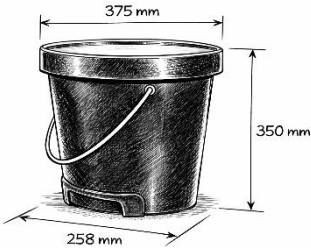


## SETSOTO LOCAL MUNICIPALITY

### 7 DAYS ADVERTISEMENT FOR FORMAL WRITTEN PRICE QUOTATION (FWPQ)

#### RE-ADVERTISEMENT

#### FWPQ 205 (2025/26) SUPPLY AND DELIVERY OF HEAVY-DUTY NIGHT SOIL BUCKETS FOR SETSOTO LOCAL MUNICIPALITY.

ITEM DESCRIPTION				SIZE	QTY
<ul style="list-style-type: none"> <li>• Heavy Duty Night Soil Buckets - A tough, durable 20L Pail with galvanized handle.</li> <li>• Ideally used in the sanitation industry where there is no access to sewage systems.</li> </ul>				20L	500
<b>TOP DIA</b>	<b>BOTTOM DIA</b>	<b>HEIGHT</b>	<b>WEIGHT</b>		
375mm	258mm	350mm	1.6kg		
					
<p>They must be equipped with strong, reinforced hand grips on both the top and bottom part to allow a person to safely carry and grip the bucket manually.</p>					

**NB: The successful Service Provider will be required to deliver the goods / services within 5 working days upon the receipt of the Official Purchase Order [otherwise Service Provider should indicate their delivery period if it falls outside these timeframes]. Failure to deliver within the stipulated period, the municipality reserves the right to cancel the order and appoint another bidder or institute any other remedies within law for the inconvenience / damages caused.**

**Requirements [failure to comply with this may invalidate your submission]**

1. The formal written price quotation must be submitted on the supplier's letterhead, and the quoted price must be valid for a period of 30 days.
2. The quotation must clearly show the MAAA CSD registration number of the Supplier.
3. The Supplier must be tax compliant on the CSD as of the closing date and time shown in the advert.
4. The Service providers will be required to submit samples for evaluation and approval by the municipality, the submission of samples will be done at the bidder's own costs, and the municipality will not be held liable for the costs incurred in the submission of sample.
5. The municipality will apply the 80/20 Preferential Point System and for Specific Goals points. Please see the table below and documents required to claim the points:

Points for the specific goals for contracting with persons, or categories of persons, historically disadvantaged by unfair discrimination on the

Black-owned and B-BBEE Status Level of Contributor	Number of points on 80/20 points system	Number of points on 90/10 points system	Evidence to be submitted by the supplier to substantiate the points claimed/allocated per specific goal (NB: Any of the evidence indicated below per specific goal should be regarded as sufficient).
Black owned enterprise			
100% Black-owned enterprise with a valid B-BBEE level 1 or affidavit	6	3	<ul style="list-style-type: none"> <li>Sworn affidavit signed by the EME or QSE representative and attested by a Commissioner of Oaths.</li> <li>A certified copy of a BB-BEE certificate issued by the verification agency accredited by SANAS Proof of B-BBEE issued by DTIC</li> </ul>
100% Black-owned enterprise			
51% Black-owned enterprise with a valid B-BBEE level 2	4	2	
51% Black-owned enterprise			
51% Black-owned enterprise with a valid B-BBEE level 3	2	1	
Less than 51% Black-owned enterprise irrespective of B-BBEE level	0	0	

basis of Race

Points for the specific goals for contracting with persons, or categories of persons, historically disadvantaged by unfair discrimination on the basis of Race

Points for the specific goals for contracting with persons, or categories of persons, historically disadvantaged by unfair discrimination on the basis of Gender (Women)

Women-owned and B-BBEE Status Level of Contributor	Number of points on 80/20 points system	Number of points on 90/10 points system	Evidence to be submitted by the supplier to substantiate the points claimed/allocated per specific goal (NB: Any of the evidence indicated below per specific goal should be regarded as sufficient).
Women- owned and share percentage Contributor status level			
100% Women-owned enterprise with no B-BBEE certificate or with a Sworn Affidavit	4	2	<ul style="list-style-type: none"> <li>Sworn affidavit signed by the EME or QSE</li> </ul>

100% Women-owned shares enterprise with CIPC share certificate			representative and attested by a Commissioner of Oaths.  • A certified copy of a BB-BEE certificate issued by the verification agency accredited by SANAS Proof of B-BBEE issued by DTIC  • CIPC and Share certificate
51% Women-owned enterprise with a valid B-BBEE level 1	3	1	
<u>51% Women-owned shares enterprise with CIPC share certificate</u>			
51% Women-owned enterprise with a valid B-BBEE level 2	2	1	
51% Women-owned enterprise with a valid B-BBEE level 3	1	1	
Less than 51% Women-owned enterprise irrespective of B-BBEE level	0	0	
<u>Less than 51% Women-owned shares enterprise wish CIPC share certificate</u>			

Points for the specific goals for contracting with persons, or categories of persons, historically disadvantaged by unfair discrimination on the basis of Disability

Black-owned and B-BBEE Status Level of Contributor	Number of points on 80/20 points system	Number of points on 90/10 points system	<u>Evidence to be submitted by the supplier to substantiate the points claimed/allocated per specific goal (NB: Any of the evidence indicated below per specific goal should be regarded as sufficient).</u>
<u>Black owned enterprise with person living with disability</u>			
100% Disabled-owned enterprise with no B-BBEE certificate but with proof of disability.	2	1	• Sworn affidavit signed by the EME or QSE representative and attested by a Commissioner of Oaths.  • A certified copy of a BB-BEE certificate issued by the verification agency accredited by SANAS
<u>100% owned by person living with disability</u>			
51% Disabled-owned enterprise with a valid B-BBEE level 1	1	1	

<u>51% owned by person living with disability</u>			Proof of B-BBEE issued by DTIC  • <u>Proof of medical certificate by a qualified medical practitioner confirming the status level of person living with disability</u>
51% Disabled-owned enterprise with a valid B-BBEE level 2	1	1	
51% Disabled-owned enterprise with a valid B-BBEE level 3	1	1	
Less than 51% Disabled-owned enterprise irrespective of B-BBEE level	0	0	
<u>Less than 51% Disabled-owned enterprise with medical certificate/proof of disability</u>			

Points for the specific goals for contracting with persons, or categories of persons, historically disadvantaged by unfair discrimination on the basis of Youth (Age)

Youth	Number of points on 80/20 points system	Number of points on 90/10 points system	Evidence to be submitted by the supplier to substantiate the points claimed/allocated per specific goal (NB: Any of the evidence indicated below per specific goal should be regarded as sufficient).
Youth is defined as any south African citizen with the age between 18 and 35 years	4	2	<ul style="list-style-type: none"> <li>• RSA identity document</li> <li>• Valid RSA driver's license issued by the relevant authority</li> </ul>
Points for Specific Goals to Promote Economic Development – Enterprise Located in a Province, District or Municipal area / (Hereafter referred to as locality)			

<p>For Free State based companies, this specific goal is aligned to the districts they are situated in.</p> <p>The points in these specific goals are aligned to the municipal jurisdiction which companies are situated in.</p>			<ul style="list-style-type: none"> <li>• <u>Municipal Rates and Taxes Account not in arrears for more than 3 months</u></li> <li>• <u>Municipal Services Account not in arrears for more than 3 months</u></li> <li>• Municipal Rates Account</li> <li>• Lease agreement <u>together with Municipal Rates and Taxes or Service Account not in arrears for more than 3 months</u></li> <li>• Title deeds</li> <li>• Permission to occupy land signed by the traditional authority</li> <li>• A letter of confirmation of the address signed by the ward councillor</li> </ul>
Setsoto Local Municipality`s Jurisdiction	4	2	
Suppliers situated in Thabo Mofutsanyane District	3	1.5	
Free State	2	1	
Other	1	1	
<p>The Accounting Officer is at liberty to determine the sub-criteria on the weighting indicated above based on the nature and complexity of the tender</p>			

*Attachments must be e-mailed to [fwpq7@setsoto.co.za](mailto:fwpq7@setsoto.co.za) before the closing date and time. Please use the above-mentioned FWPQ reference number as the subject for the e-mail.*

**Closing Date: Thursday, 14<sup>th</sup> May 2026 @ 16:30**

**Please Note the Following:**

1. No tender document is required.
2. No telegraphic, telefaxes, hand-delivered and late bids will be accepted.
3. No bids will be accepted from persons in service of the state (Acting through Proxy).
4. Municipal Supply Chain Management Policy and Preferential Procurement Policy Framework Act No 5 of 2000 and its 2022 regulations (80/20 criteria) will apply.
5. **The following documents will be requested from shortlisted suppliers at the later stage for finalizations:**
  - 5.1. Company Registration Certificate (CRC) reflecting active members.
  - 5.2. Certified copies of the ID of all directors/members on the CRC must be attached.
  - 5.3. MBD 4 form for declaration of interest that is filled in and signed in full. Form is obtainable from Supply Chain Management Offices or from the municipal website [www.setsoto.gov.za](http://www.setsoto.gov.za) under Supply Chain.
  - 5.4. Municipal rates and taxes statement for the Company or Directors and must not be in arrears for more than three (3) months or a valid Lease Contract reflecting who is responsible to pay municipal rates and taxes if a Lessee is responsible for payment of municipal rates and taxes a municipal statement of account must be submitted or Letter of arrangement for payment of municipal services.
6. Setsoto Local Municipality does not bind itself to accept the lowest bid or any other bid and reserves the right to accept the whole/part of the bid.
7. All submissions will be subject to verification.

**For Technical Enquiries contact Mr. K.S Mutsi at 051 991 0021 or [sechaba@setsoto.co.za](mailto:sechaba@setsoto.co.za) and For Supply Chain Management Enquiries contact Mr. T. Majoale at 051 933 9351 or [scm@setsoto.co.za](mailto:scm@setsoto.co.za)**

.....  
**Mrs. N.F Malatjie**  
**MUNICIPAL MANAGER**